

NORDIC MBH 4000 DC PORTABLE HEATER

Crane Cab Heater



Portable 240 Volt DC heat right where you need it. HDT is pleased to introduce the HDT Nordic MBH 4000 DC Portable Heater designed for use on overhead crane cabs where 240 Volt DC is the only available power supply. This heater delivers 4000 WATTS of heat and utilizes a true mill duty DC rated contactor, TENV DC fan motor, and adjustable thermostat.

An optional mounting bracket kit is also available for securing the heater to the cab floor or ceiling, tilting it in the up or down position, right where you need it.

KEY FEATURES

- Designed for use on overhead crane cabs where 240 Volt DC is the only power supply
- Mill Duty DC rated contactor
- Tenv DC fan motor
- Tip-over safety switch
- Immediate delivery available
- Adjustable in both up and down positions
- Certified to ISO 9001:2000, with Design International Quality Standard. Certificate Number: 05.308.3 Update:09/2010

NORDIC MBH 4000 DC PORTABLE HEATER

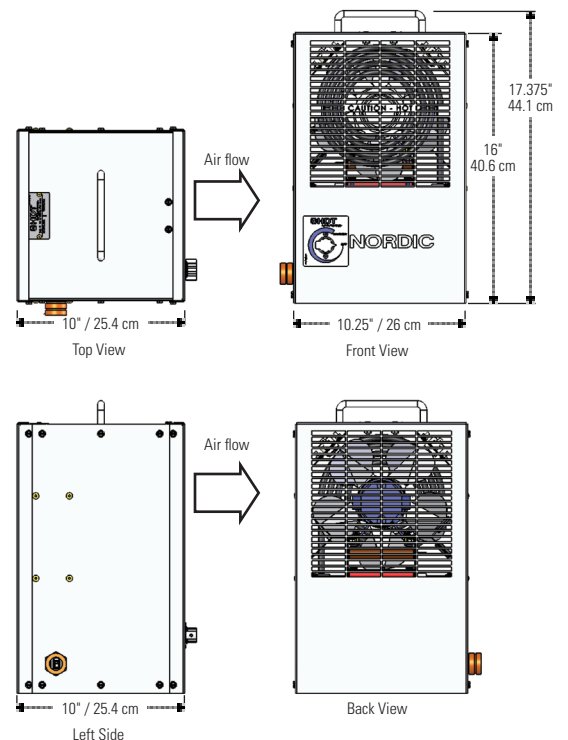
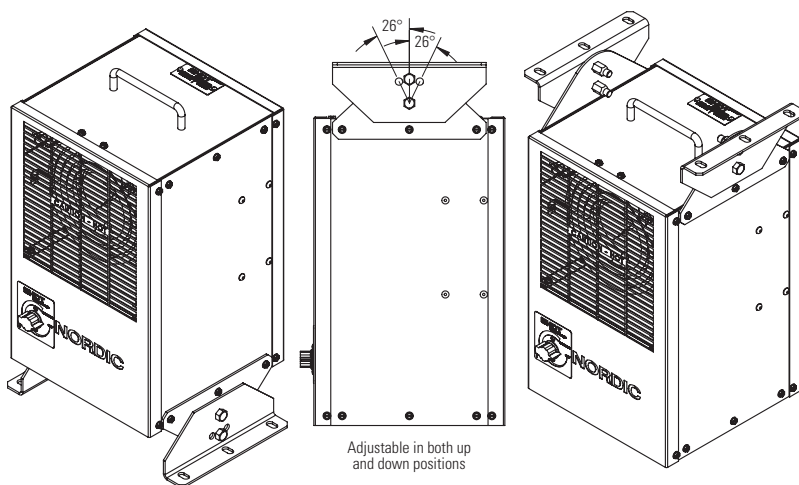
Crane Cab Heater



SPECIFICATIONS

HDT Part Number	MBH4000	
Voltage	240V DC	
Amps		
Fan	0.34	
Heating	17	
Heating Capacity	13,660 BTU/H 4 kW	
Internal Fuse	Klk-30 Fast Acting	
Fan Limit	110°F Cut in / 90°F Cut out 43°C Cut in / 32°C Cut out	
High Limit	150°F Cut Out / 110°F Cut In 66°C Cut Out / 43°C Cut in	
Dimensions (LxWxH)	10.25" x 10" x 17.375" 26 x 25.4 x 44.1 cm	
Weight	25 lbs	11.3 kg
Thermostat	Adjustable with positive off	
Power Cord (with no plug)	4' 1.2 m	
Cabinet	18 Ga. Galv. G-90	

Products, product specifications and data are subject to change without notice to improve reliability, function, and/or design. Please contact Customer Service at 800.969.8527 for the most up-to-date product information.



HDT Expeditionary Systems, Inc.

30500 Aurora Road, Suite 100, Solon, OH 44139 USA
P 800.969.8527 / 216.HDT.6111 / sales@hdtglobal.com

NON-EXPORT CONTROLLED INFORMATION
Revision 2 05-24 01-04-01-0283